



De'Longhi Dishwasher

Consumer Helpline

Australia

Phone: 1800 126 659

Fax: 1800 007 289

New Zealand

Phone: 0508 200 300

Fax: 0508 200 301

www.delonghi.com.au

www.delonghi.co.nz

Distributed by De'Longhi Australia Pty Ltd.

ABN 49 104 012 857

P.O. Box 4156 Milperra BC, NSW 1891

Distributed by De'Longhi New Zealand Ltd.

P.O. Box 58-056 Greenmount, Auckland

 is a registered Trademark
of De'Longhi Australia Pty Ltd.
ABN 49 104 012 857.

© 2011 De'Longhi Australia Pty Ltd.

Model
DEDW97FI



USER GUIDE

Please read this user guide carefully and retain for future reference

Parts and Features	03
De'Longhi Safety Precautions.	04
Dishwasher Safety Precautions	05
Installation Safety Precautions	07
Installation	08
- Cabinet Preparation	
- Aesthetic Fascia Panel Dimensions and Installation	
- Tension Adjustment of the door	
- Cold Water Connection	
- Drain Hose Connection	
- How to install the Mechanical Acqua Stop Hose	
- Positioning the Appliance	
Using your Dishwasher	13
- Before Starting the Dishwasher	
- Prior to using for the first time	
- Loading the Dishwasher Basket	
- Starting a Washing Program	
- Control Panel	
- Turning on the Appliance	
- Change the Program	
- Forget to add a Dish?	
- At the end of the Wash Cycle	
Care and Cleaning.	25
- Filtering System	
- Filter Assembly	
- Cleaning the Filter	
- Caring for the Dishwasher	
- Protect against Freezing	
- Cleaning the Spray Arms	
- How to keep your Dishwasher in shape	
Troubleshooting	28
Error Codes	29
Help us Help You.	30
Warranty Information	31

The De'Longhi Dishwasher is warranted against faults resulting from manufacturing or material defects. The warranty period for normal domestic installation and use is two years from the date of purchase. In non-domestic use De'Longhi limits the voluntary warranty to 6 months.

De'Longhi undertakes to repair or replace the Dishwasher at our discretion if the product is found to be defective due to a manufacturing fault during the warranty period.

This warranty excludes any damage caused by misuse, neglect, shipping accident, or incorrect installation. Normal wear and tear is also expressly excluded. The warranty claim is void if no fault is found with the product or if work is carried out by anyone other than an authorised De'Longhi Service Agent.

In Australia, this warranty is additional to the conditions and guarantees which are mandatory as implied under the Trade Practices Act 1974 and State and Territory legislation.

How to contact us about a warranty claim

Talk to a De'Longhi representative for further warranty or product information please call the number in your country:

Australia
www.delonghi.com.au
Phone: 1800 126 659

New Zealand
www.delonghi.co.nz
Phone: 0508 200 300

NOTE: Warranty is determined by unit serial number and date of purchase.

Read this guide carefully, it is intended to help you operate and maintain your new Dishwasher properly.

Keep it handy to answer your questions. If you don't understand something or you need more assistance, please call the De'Longhi Helpline.

To help us provide prompt answers to your queries, please record your Dishwasher model and serial numbers. You'll find them on a plate located on the rear outside wall of the Dishwasher.

Dishwasher details

Date of Purchase

Model Number

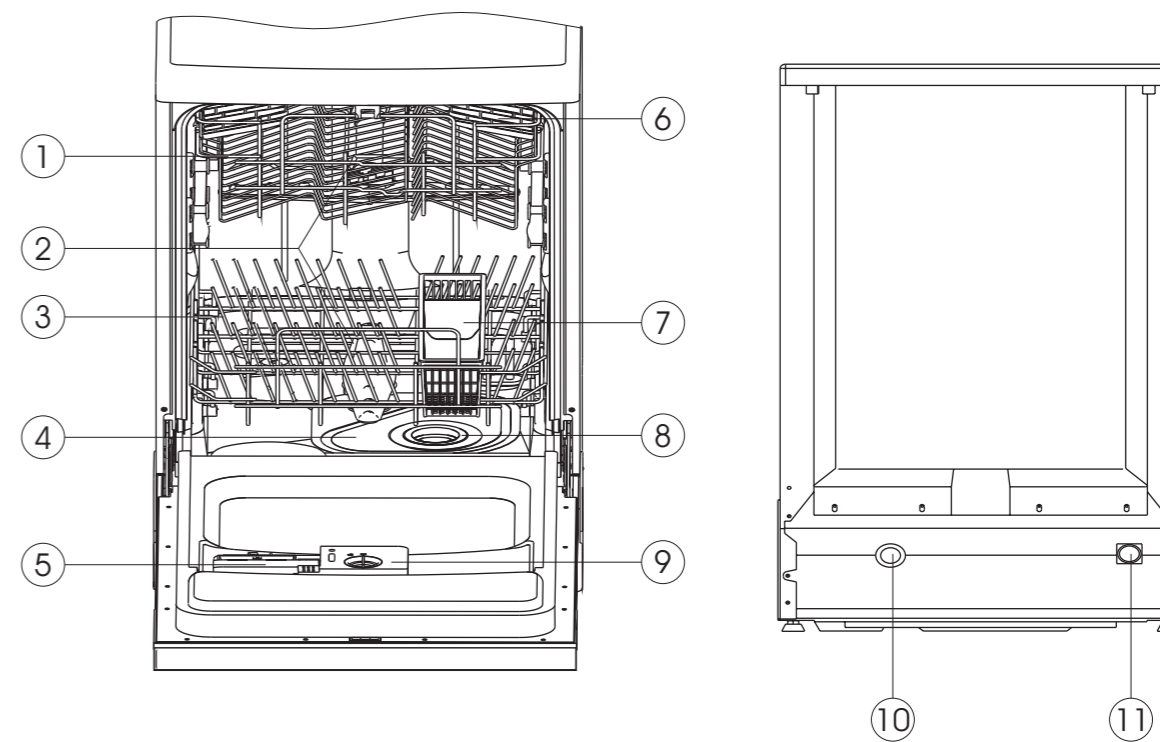
Serial Number

Before you call for service

Check the Troubleshooting Section on page 28. It lists causes of minor operating problems that you can correct yourself.

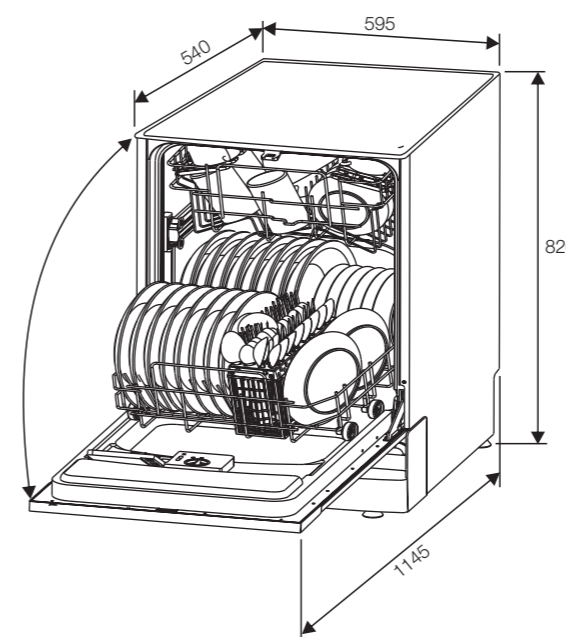
STAPLE OR
AFFIX PURCHASE
RECIPT HERE

Model: DEDW97FI



Components:

- | | |
|------------------------|--------------------------|
| 1. Upper Basket | 7. Cutlery Basket |
| 2. Spray Arms | 8. Coarse Filter |
| 3. Lower Basket | 9. Rinse Aid Dispenser |
| 4. Main Filter | 10. Drain Pipe Connector |
| 5. Detergent Dispenser | 11. Inlet Pipe Connector |
| 6. Cup Shelf | |



Dimensions:

Height	820mm (Adjustable +60mm)
Width	595mm
Depth	560mm

Voltage connected Load:	see rating label
Water pressure:	0.04-1.0MPa
Hot water connection:	max 60°C
Power supply:	see rating label
Capacity:	14 place settings

De'Longhi pride themselves on their innovative range of the highest quality consumer products.

De'Longhi ensures all of its products are 100% safe through quality design and manufacture. All products meet or exceed stringent laboratory-tested safety requirements.

It is necessary for anyone using an electrical appliance to be safety conscious. The following precautions are essential for the safe use of an electrical appliance. Carefully read all of the instructions provided with your appliance:

- Always turn the power off at the power outlet before you insert or remove a plug. Remove by grasping the plug, do not pull on the cord.
- Do not use your appliance with an extension cord unless this cord has been checked and tested by a qualified technician or service person. The extension cord must be a VDE-Listed, 3-wire grounding extension cord that has a grounding plug and outlet and that the electrical rating of the cord is 220-240 volts and at least 10 amperes.
- Always use your appliance from a power outlet of the voltage (A.C. only) marked on the appliance.
- Do not use an appliance for any purpose other than its intended use.
- Do not attempt to repair an electrical appliance. Return a damaged or malfunctioning appliance to a qualified service centre for adjustment or repair if required.
- The appliance must be positioned so the AC plug is accessible.

- This appliance is designed exclusively for household use. All other uses are strictly forbidden.
- The appliance is not intended for use by persons (including children) with reduced physical, sensory or mental capabilities, or lack of experience and knowledge, unless they have been given supervision or instruction concerning use of the appliance by a person responsible for their safety. Children should be supervised to ensure that they do not play with the appliance.
- If the power cable is damaged, it must be replaced by the manufacturer, an authorised service centre or a qualified electrician in order to eliminate all risk.

	<i>Problem</i>	<i>Possible Causes</i>	<i>Solution</i>
Unsatisfactory washing result	<i>The dishes are not clean</i>	The dishes were not loaded correctly.	See notes in " Loading the Dishwasher Baskets " .
		The program was not powerful enough.	Select a more intensive program. See " Wash Cycle Table " .
		Not enough detergent was dispensed.	Use more detergent, or change your detergent.
		Items are blocking the path of spray arms.	Rearrange the items so that the spray can rotate freely.
		The filter combination in the base of wash cabinet is not clean or is not correctly fitted. This may cause the spray arm jets to get blocked.	Clean and/or fit the filter combination correctly. Clean the spray arm jets. See "Cleaning the Spray Arms" .
<i>Cloudiness on glassware</i>	Combination of soft water and too much detergent.	Use less detergent if you have soft water and select a shortest cycle to wash the glassware and to get them clean.	
<i>Black or gray marks on dishes</i>	Aluminum utensils have rubbed against dishes.	Use a mild abrasive cleaner to eliminate those marks.	
<i>Detergent left in dispenser cups</i>	Dishes block detergent cups.	Re-loading the dishes properly.	
Unsatisfactory drying results	<i>The dishes are not drying</i>	Improper loading	Load the dishwasher as suggested in the directions.
		Too little rinse-aid	Increase the amount of rinse-aid/refill the rinse-aid dispenser.
		Dishes are removed too soon	Do not empty your dishwasher immediately after washing. Open the door slightly so that the steam can escape. Begin unloading the dishwasher only once the dishes are barely warm to the touch. Empty the low basket first. This prevents water from dropping off dishes in the upper basket.
		Wrong program has been selected	In short program the washing temperature is lower. This also lowers cleaning performance. Choose a program with a long washing time.
	Use of cutlery with a low-quality coating	Water drainage is more difficult with these items. Cutlery or dishes of this type are not suitable for washing in the dishwasher.	

ERROR CODES

When some malfunctions occur, the appliance will display error codes to warn you:

<i>Codes</i>	<i>Meanings</i>	<i>Possible Causes</i>
E1	Longer inlet time.	Faucets is not opened, or water intake is restricted, or water pressure is too low.
E2	Longer draining time.	The installation position of the drain pipe is too high.
E3	Longer heating time, but not reaching required temperature.	Malfunction of temperature sensor or of heating element.
E4	Overfilled.	Too much inlet water
E6	Failure of temperature sensor.	Open circuit or break of temperature sensor.
E7	Failure of temperature sensor.	Short circuit or break of temperature sensor.

WARNING!

- If overflow occurs, turn off the main water supply before calling for service.
- If there is water in the base pan because of an overflow or small leak, the water should be removed before restarting the dishwasher.

Before Calling for Service, review the following troubleshooting tips.

	<i>Problem</i>	<i>Possible Causes</i>	<i>Solution</i>
Technical problems	<i>Dishwasher doesn't start</i>	Fuse blown, or the circuit breaker acted	Replace fuse or reset circuit breaker. Remove any other appliances sharing the same circuit with the dishwasher
		Power supply is not turned on	Make sure the dishwasher is turned on and the door is closed securely. Make sure the power cord is properly plugged into the wall socket.
		Error code:E1; Water pressure is low	Check that the water supply is connected properly and the water is turned on.
		Door of dishwasher not properly closed.	Make sure to close the door properly and latch it.
Technical problems	<i>Water not pumped from dishwasher</i>	Kink in drain hose	Check drain hose.
		Filter clogged	Check coarse the filter (see section titled "Cleaning The Filter ")
		Kitchen sink clogged	Check the kitchen sink to make sure it is draining well. If the problem is the kitchen sink not draining ,you may need a plumber rather than a serviceman for dishwashers.
General problems	<i>Suds in the tub</i>	Improper detergent	Use only the special dishwasher detergent to avoid suds. If this occurs, open the dishwasher and let suds evaporate. Add 1 gallon of cold water to the tub. Close and latch the dishwasher, then Start the "soak" wash cycle to drain out the water . Repeat if necessary.
		Spilled rinse-aid	Always wipe up rinse-aid spills immediately.
	<i>Stained tub interior</i>	Detergent with colourant was used	Make sure that the detergent is the one without colourant.
	<i>White film on inside surface</i>	Hard water minerals	To clean the interior, use a damp sponge with dishwasher detergent and wear rubber gloves. Never use any other cleaner than dishwasher detergent for the risk of foaming or suds.
	<i>There are rust stains on cutlery</i>	The affected items are not corrosion resistant.	
A program was not run after dishwasher salt was added. Traces of salt have gotten into the wash cycle.		Always run the quick wash program . without any crockery in the dishwasher and without selecting the Turbo function (if present), after adding dishwasher salt.	
The lid of the softer is loose		Check the lip .Ensure the fix is fine.	
Noise	<i>Knocking noise in the wash cabinet</i>	A spray arm is knocking against an item in a basket	Interrupt the program, and rearrange the items which are obstructing the spray arm.
	<i>Rattling noise in the wash cabinet</i>	Items of crockery are loose in the wash cabinet	Interrupt the program, and rearrange the items of crockery.
	<i>Knocking noise in the water pipes</i>	This may be caused by on-site installation or the cross-section of the piping.	This has no influence on the dishwasher function. if in doubt, contact a suitably qualified plumber.

IMPORTANT SAFETY INSTRUCTIONS - READ ALL INSTRUCTIONS BEFORE USING, AND SAVE FOR FUTURE REFERENCE.

Your safety and the safety of others is very important. Safety messages are displayed in this manual and on your appliance.

Read and obey these safety messages as they will alert you to potential hazards and tell you how to reduce the chance of injury.



Safety Alert Symbol

This symbol alerts you to potential hazards.

! DANGER !

Danger

Danger indicates a high level of risk to yourself and others. Ensure that care is taken to avoid severe injury or even death.

! WARNING !

Warning

Warning indicates a moderate level of risk to yourself, others and the product. Ensure that care is taken to avoid extensive product damage or serious injury.

CAUTION

Caution

Caution indicates a level of risk to yourself, others and the product. Ensure care is taken to avoid moderate product damage or injuries.



Before the appliance is used, it must be properly positioned and installed as described in this manual, so read the manual carefully. To reduce the risk of fire, electrical shock or injury when using the appliance, follow basic precaution, including the following:

⚠ DANGER ⚠

Grounding Instructions

- This appliance must be grounded. In the event of a malfunction or breakdown, grounding will reduce the risk of an electric shock by providing a path of least resistance of electric current. This appliance is equipped with a cord having an equipment-grounding conductor and a grounding plug. The plug must be plugged into an appropriate outlet that is installed and grounded in accordance with all local codes and ordinances.
- Improper connection of the equipment-grounding conductor can result in the risk of an electric shock.
- Check with a qualified electrician or service representative if you are in doubt whether the appliance is properly grounded. Do not modify the plug provided with the appliance; If it does not fit the outlet. Have a proper outlet installed by a qualified electrician.

⚠ WARNING ⚠

- Do not abuse, sit on, or stand on the door or dish rack of the dishwasher.
- Do not touch the heating element during or immediately after use. (This instruction is only applicable to machines with a visual heating element.)
- Do not operate your dishwasher unless all enclosure panels are properly in place. Open the door very carefully if the dishwasher is operating, there is a risk of water squirting out.
- Do not place any heavy objects on or stand on the door when it is open. The appliance could tip forward.
- When loading items to be washed:
 1. Locate sharp items so that they are not likely to damage the door seal;
 2. Warning: Knives and other utensils with sharp points must be loaded in the basket with their points down or placed in a horizontal position.
- Check that the detergent compartment is empty after completion of the wash cycle.

⚠ WARNING ⚠

- When using your dishwasher, you should prevent plastic items from coming into contact with the heating element. (This instruction is only applicable to machines with a visual heating element.)
- Do not wash plastic items unless they are marked dishwasher safe or the equivalent. For plastic items not so marked, check the manufacturer's recommendations.
- Use only detergent and rinse additives designed for an automatic dishwasher.
- Never use soap, laundry detergent, or hand washing detergent in your dishwasher. Keep these products out of the reach of children.
- Keep children away from detergent and rinse aid, keep children away from the open door of the dishwasher, there could still be some detergent left inside.
- This appliance is not intended for use by persons (including children) with reduced physical, sensory or mental capabilities, or lack of experience and knowledge, unless they have been given supervision or instruction concerning use of the appliance by a person responsible for their safety.
- Children should be supervised to ensure that they do not play with the appliance.
- Dishwasher detergents are strongly alkaline, they can be extremely dangerous if swallowed. Avoid contact with skin and eyes and keep children away from the dishwasher when the door is open.
- The door should not be left open, since this could increase the risk of tripping.
- If the supply cord is damaged, it must be replaced by the manufacturer or its service agent or a similarly qualified person in order to avoid a hazard.
- Remove the door to the washing compartment when removing an old dishwasher from service or discarding it.
- Please dispose of packing materials properly.
- Use the dishwasher only for its intended function.
- During installation, the power supply must not be excessively or dangerously bent or flattened.
- Do not tamper with controls.
- The appliance is to be connected to the water mains using new hose sets and that old hose-sets should not be reused.
- The maximum number of place settings to be washed is 14.
- The maximum permissible inlet water pressure is 1Mpa.
- The minimum permissible inlet water pressure is 0.04Mpa.

Protect against Freezing

Please take frost protection measures on the dishwasher in winter. After washing cycles, please operate as follows:

1. Cut off the electrical power to the dishwasher.
2. Turn off the water supply and disconnect the water inlet pipe from the water valve.
3. Drain the water from the inlet pipe and water valve. (Use a pan to catch the water)
4. Reconnect the water inlet pipe to the water valve.
5. Remove the filter at the bottom of the tub and use a sponge to soak up water in the sump.

NOTE: If your dishwasher cannot work because of the ice, please contact professional service persons.

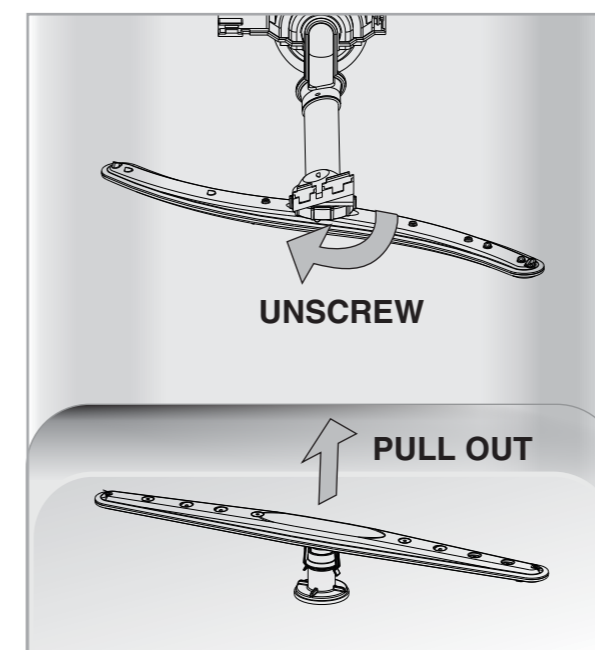
Cleaning the Spray Arms

It is necessary to clean the spray arms regularly for hard water chemicals will clog the spray arm jets and bearings.

To remove the upper spray arm, screw off the nut clockwise then remove the arm.

To remove the lower spray arm, pull out the spray arm upward.

Wash the arms in soapy and warm water and use a soft brush to clean the jets. Replace them after rinsing them thoroughly.



How to keep your Dishwasher in shape

- After every wash, turn off the water supply to the appliance and leave the door slightly open so that moisture and odours are not trapped inside.
- Before cleaning or performing maintenance, always remove the electrical plug from the socket.
- To clean the exterior and rubber parts of the dishwasher, do not use solvents or abrasive cleaning products. Only use a cloth with warm soapy water.
- To remove spots or stains from the surface of the interior, use a cloth dampened with water and a little vinegar, or a cleaning product made specifically for dishwashers.

When not in Use for a long time

It is recommended that you run a wash cycle with the dishwasher empty and then remove the plug from the socket, turn off the water supply and leave the door of the appliance slightly open. This will help the door seals to last longer and prevent odours from forming within the appliance.

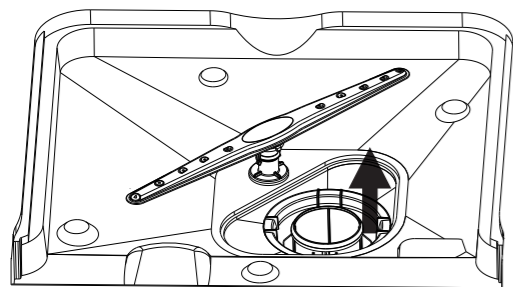
Moving the Appliance

If the appliance must be moved, try to keep it in the vertical position. If absolutely necessary, it can be positioned on its back.

Seals

One of the factors that cause odours to form in the dishwasher is food that remains trapped in the seals. Periodic cleaning with a damp sponge will prevent this from occurring.

STEP 3: Lift the Fine Filter up.



3

NOTES:

- When following this procedure from step 1 to step 3, the filter system will be removed; when following it from Step 3 to Step 1, the filter system will be installed.
- Inspect the filters for blocking after every time the dishwasher has been used.
- By unscrewing the coarse filter, you can remove the filter system. Remove any food remnants and clean the filters under running water.
- The entire filter assembly should be cleaned once a week.

Cleaning the Filter

To clean the coarse filter and the fine filter, use a cleaning brush. Reassemble the filter parts as shown in the figures on the last page and reinsert the entire assembly in the dishwasher, positioning it in its seat and pressing downwards.

Caring for the Dishwasher

The control panel can be cleaned by using a lightly dampened cloth. After cleaning, make sure to dry it thoroughly.

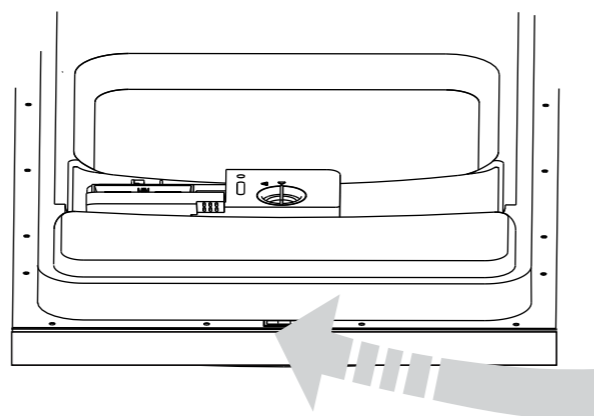
For the exterior, use a good appliance polish wax.

Never use sharp objects, scouring pads or harsh cleaners on any part of the dishwasher.

Cleaning the Door

To clean the edge around the door, you should use only a soft warm, damp cloth.

To avoid penetration of water into the door lock and electrical components, do not use a spray cleaner of any kind.



WARNING!

- Never use a spray cleaner to clean the door panel as it may damage the door lock and electrical components.
- Abrasive agents or some paper towels should not be used because of the risk of scratching or leaving spots on the stainless steel surface.

Electrical Connection

- This appliance should be properly grounded for your safety. The power cord of this appliance is equipped with a three-prong plug which mates with standard three prong wall outlets to minimise the possibility of electrical shock.
- DO NOT UNDER ANY CIRCUMSTANCES CUT OR REMOVE THE EARTHING CONNECTION FROM THE POWER CORD SUPPLIED. FOR PERSONAL SAFETY, THIS APPLIANCE MUST BE PROPERLY GROUNDED.
- Please look at the rating label to know the rating voltage and connect the dishwasher to the appropriate power supply. Use the required fuse 10 amp, time delay fuse or circuit breaker recommended and provide separate circuit serving only this appliance.
- Ensure the voltage and frequency of the power being used corresponds to those on the rating plate. Only insert the plug into an electrical socket which is earthed properly. If the electrical socket to which the appliance must be connected is not appropriate for the plug, replace the socket, rather than using a adapters or the like as they could cause overheating and burns.
- The cord should be secured behind the appliance and not left exposed or dangling to prevent accidental injury.
- The appliance should always be plugged into its own individual electrical outlet which has a voltage rating that matches the rating label on the appliance. This provides the best performance and also prevent overloading house wiring circuits that could cause a fire hazard from overheated. Never unplug the appliance by pulling the power cord. Always grip the plug firmly and pull straight out from the receptacle. Repair or replace immediately all power cords that have become frayed or otherwise damaged. Do not use a cord that shows cracks or abrasion damage along its length or at either end. When moving the appliance, be careful not to damage the power cord.

Extension Cord

- WARNING: DO NOT USE AN EXTENSION CORD OR AN ADAPTER PLUG WITH THIS APPLIANCE.

Grounding Instructions

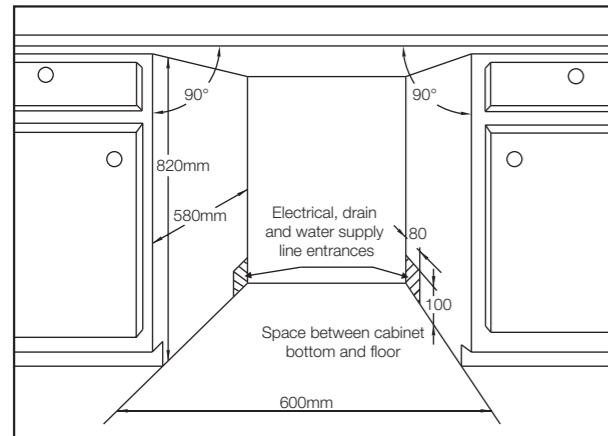
- This appliance must be earthed. In the event of a malfunction or breakdown, earthing will reduce the risk of electric shock by providing a path of least resistance for the electric current. This appliance is equipped with a cord having an equipment-earthing conductor and an earthing plug. The plug must be plugged into an appropriate outlet that is installed and earthed in accordance with all local standards and requirements.

WARNING

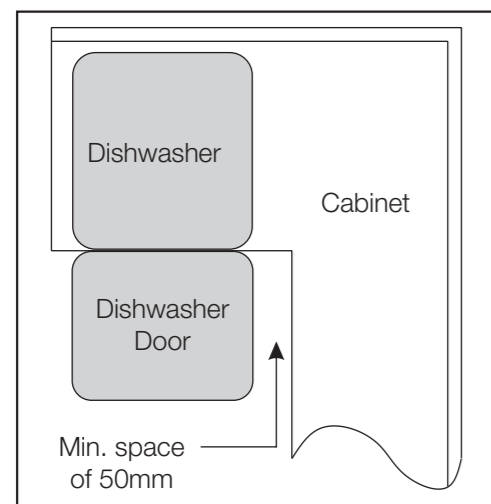
- Improper connection of the equipment earthing conductor can result in the risk of an electric shock.
- Check with a qualified electrician or service representative if you are in doubt whether the appliance is properly earthed.
- Do not modify the plug provided with the appliance. If the plug does not fit properly to the outlet, please have a qualified electrician to install a proper outlet.

Cabinet Preparation

- Choose a place near the sink to facilitate the installation of inlet and drain hoses.
- Cabinet dimensions less than 5mm between the top of dishwasher and cabinet and the outer door aligned to cabinet.

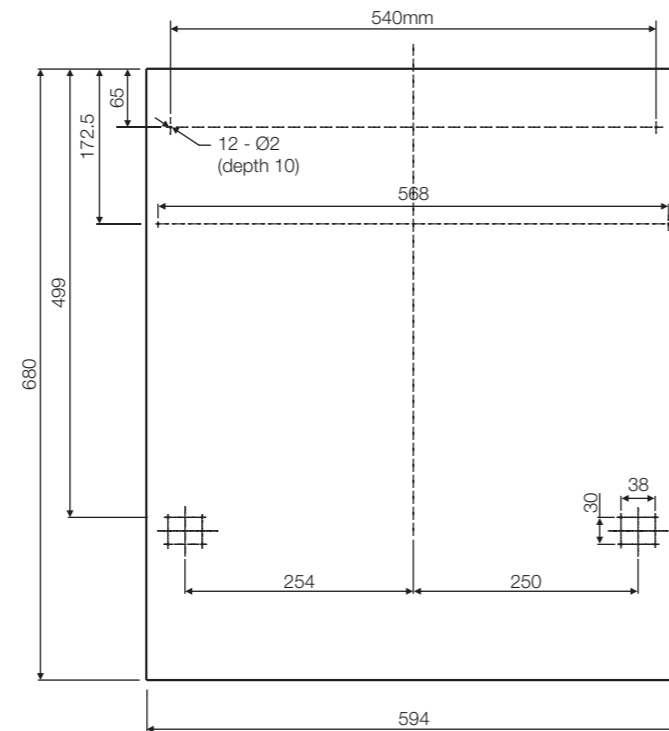


- Minimum space between the door and adjacent cabinet when the door is opened is 50mm.

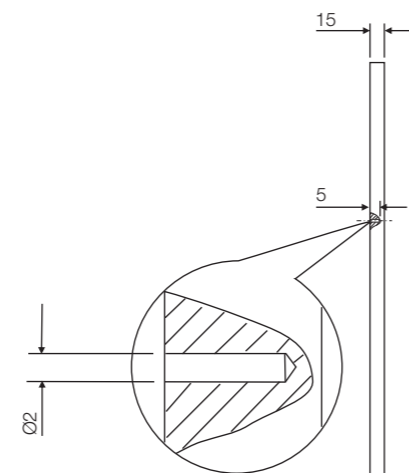


Aesthetic Fascia Panel Dimensions and installation

- The aesthetic fascia panel should be processed according to the diagram below.



Front View



Side View

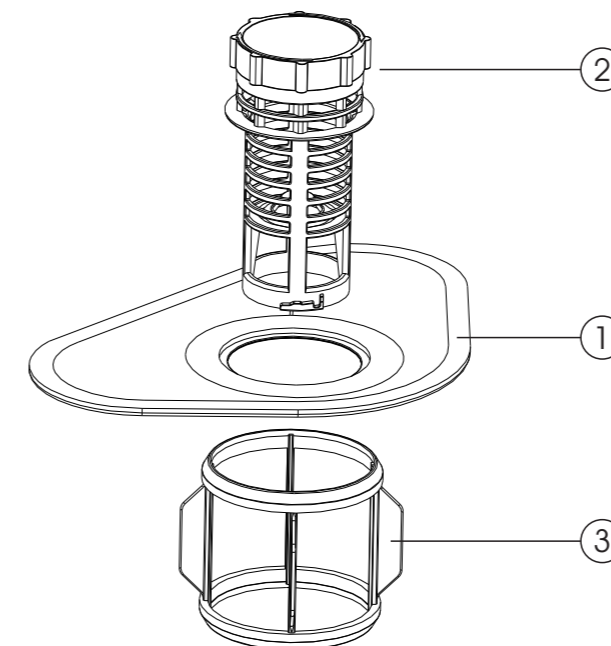
Filtering System

The filter prevents larger remnants of food or other objects from getting inside the pump.

The residue may block the filter, in this case they must be removed.

The filter system consists of a coarse filter, a flat (Main filter) and a microfilter (Fine filter).

- ① **MAIN FILTER:** Food and soil particles trapped in this filter are pulverized by a special jet on the lower spray arm and washed down the drain.
- ② **COARSE FILTER:** Larger items, such as pieces of bones or glass, that could clog the drain are trapped in the coarse filter. To remove an item caught in this filter, gently squeeze the taps on the top of this filter and lift it out.
- ③ **FINE FILTER:** This filter holds soil and food residues in the sump area and prevents it from being redeposit on the dishes during a cycle.



Filter Assembly

The filter efficiently removes food particles from the wash water, allowing it to be recycled during the cycle.

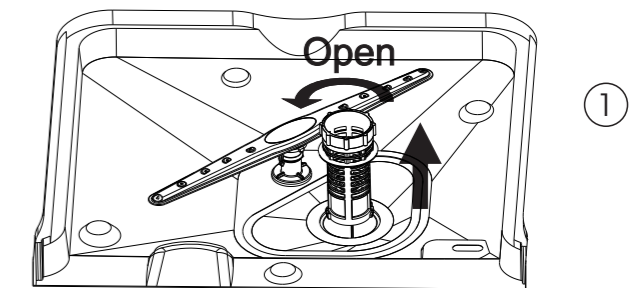
For best performance and results, the filter must be cleaned regularly. For this reason, it is a good idea to remove the larger food particles trapped in the filter after each wash cycle by rinsing the semicircular filter and cup under running water.

To remove the filter device, pull the cup handle in the upward direction.

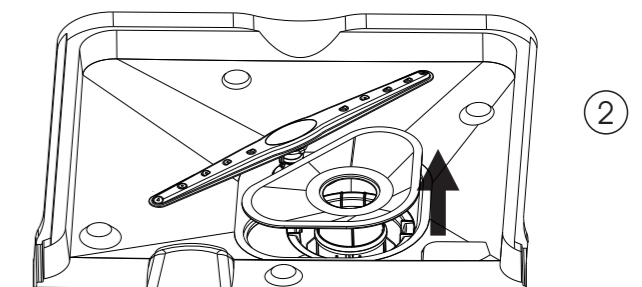
WARNING!

- The dishwasher must never be used without the filters.
- Improper replacement of the filter may reduce the performance level of the appliance and damage dishes and utensils.

STEP 1: Turn the filter in anti-clockwise direction, then lift it up.



STEP 2: Lift the Main Filter up.



FORGETTO ADD A DISH?

A forgotten dish can be added at any time before the detergent cup opens.

1. Open the door a little to stop the washing.
2. After the spray arms stop working, you can open the door completely.
3. Load the forgotten dishes.
4. Close the door, the dishwasher will start running again after 10 seconds.

WARNING! It is dangerous to open the door when washing, because the hot water may scald you.

AT THE END OF THE WASH CYCLE

Switch off the Dishwasher

When the working cycle has finished, the buzzer will sound for 8 seconds to notify you that the program has ended. Wait for a few minutes before unloading the dishwasher to avoid handling the dishes and utensils while they are still hot and more susceptible to breakage. They will also dry better.

1. Open the door and switch off the dishwasher by pressing the ON/OFF button.
2. Turn off the water tap!

Open the door carefully

The dishes should be allowed to cool down for around 15 minutes before removing from the appliance.

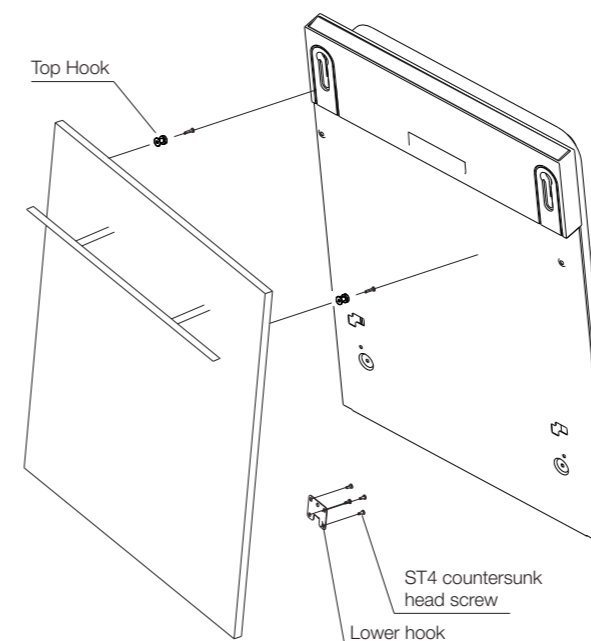
Open the dishwasher's door, leave it ajar and wait a few minutes before removing the dishes. Dishes will be cooler and the drying will be improved.

Unloading the Dishwasher

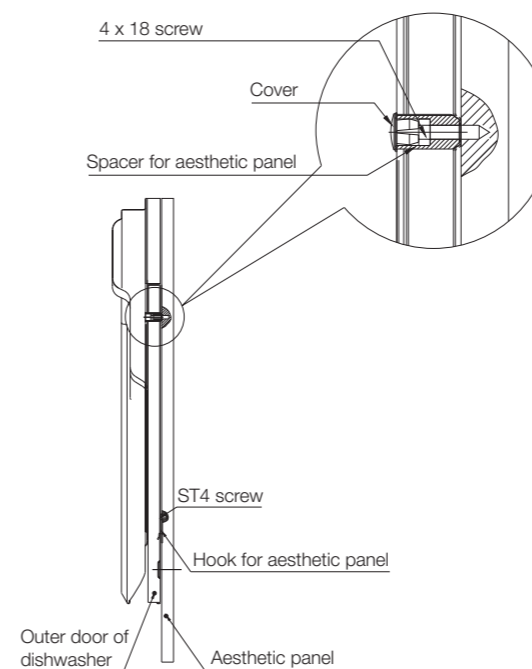
It is normal that the dishwasher is wet inside.

Empty the lower basket first and then the upper one. This will avoid water dripping from the upper Basket onto the dishes in the lower one.

- Install the hook on the aesthetic fascia panel and put the hook into the slot of the outer door of dishwasher (see below).

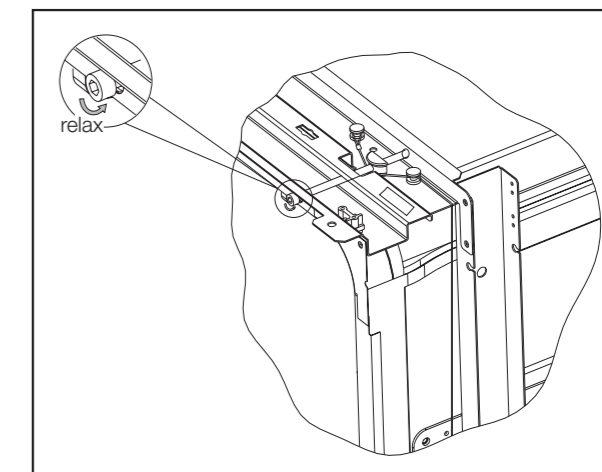


- After positioning of the panel, fix the panel onto the outer door using screws and bolts (See following diagrams).



Tension adjustment of the door

- The door springs are set at the factory to the proper tension for the outer door. If an aesthetic fascia panel is installed, you will have to adjust the door spring tension. Rotate the adjusting screw to drive the adjustor to strain or relax the steel cable (see below).
- Adjust the door spring tension until the door remains horizontal and balanced in the fully-opened position, yet rises to a close with the slight lift of a finger.



Cold Water Connection

- Connect the cold water supply hose to a threaded 3/4(inch) connector and make sure that it is fastened tightly in place.
- If the water pipes are new or have not been used for an extended period of time, let the water run to make sure that the water is clear. This precaution is needed to avoid the risk of the water inlet getting blocked and damaging the appliance.

WARNING!

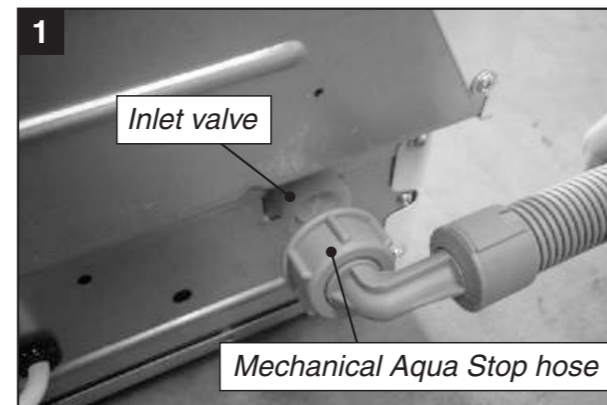
In order to avoid water staying in the inlet hose, please close the hydrant after using. (Not applicable to appliances without aqua-stop.)

Drain Hose Connection

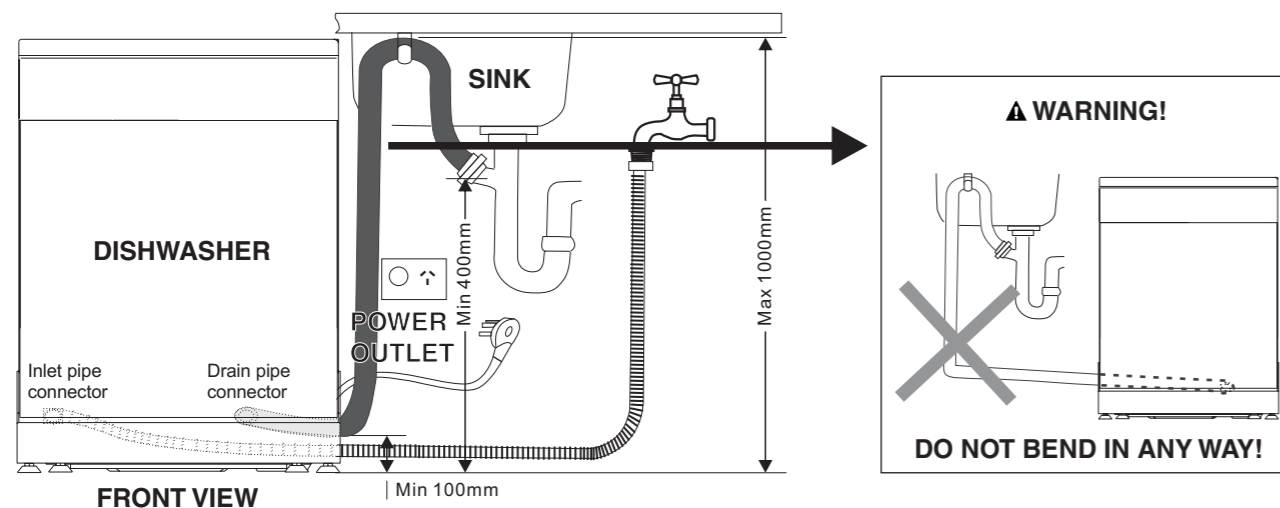
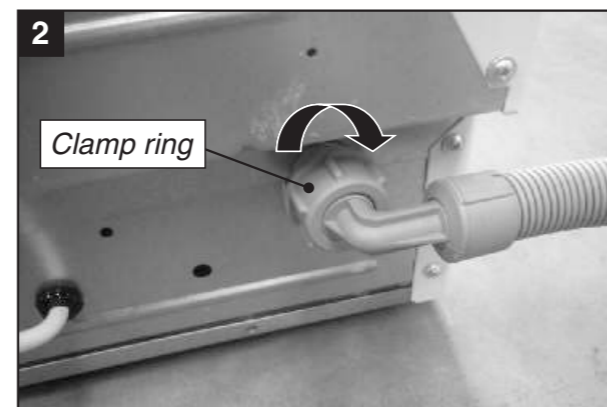
- Insert the drain hose into a drain pipe with a minimum diameter of 4cm, or let it run into the sink, making sure to avoid bending or crimping it. Use the special plastic support that comes with the appliance. The top of the hose must be at a height between 40 and 100cm. The free end of the hose must not be immersed in water to avoid the back flow of it.

How to install the mechanical Aqua Stop Hose

- Mechanical Aqua Stop Hose preparation.



- Snap-fit the inlet valve and rotate the clamp ring to fix the hose.



CONTROL PANEL



- ① **ON/OFF Button:** To turn on/off the power supply.
- ② **Power on light:** Becomes lit when the Power ON/OFF button is pressed down.
- ③ **Half Load Button:** To select Half load functions. (Half load function means that the lower spray arm does not run, so you should load the upper basket only).

- ④ **Delayed Start Button:** Press this button to set the delayed hours for washing. You can delay the start of washing up to 24 hours. One press on this button delays the start of washing by one hour.
- ⑤ **Display window:** Displays the delay time, running indicator, fault codes and etc.
- ⑥ **Program Button:** Press this button to select the desired washing program.

TURNING ON THE APPLIANCE

Starting a wash cycle:

1. Draw out the lower and upper basket, load the dishes and push them back. It is recommended to load the lower basket first, then the upper one (see the section entitled "Loading the Dishwasher").
2. Pour in the detergent (see Page 13).
3. Insert the plug into the socket. The power supply is 220-240 VAC / 50 HZ, the specification of the socket is 10A 250VAC. Make sure that the water supply is turned on to full pressure.
4. Open the door, press the ON/OFF button, and the ON/OFF light will turn on.
5. Press the program button to select your desired wash cycle.
6. Close the dishwasher door with a little force to ensure the door is closed properly. A click can be heard when the door is closed perfectly.
7. When the washing cycle is complete, you can shut off the switch by pressing the ON/OFF button.

CHANGING THE PROGRAM

Premise:

1. A cycle that is underway can only be modified if it has only been running for a short time. Otherwise, the detergent may have already been released, and the appliance may have already drained the wash water.
If this is the case, the detergent dispenser must be refilled (see the section entitled "Adding Detergent").
2. Open the door, press the PROG. button more than three seconds to cancel the program, then you can change the program to the desired cycle setting. Then, close the door.

NOTE:







If you open the door during a wash cycle, the machine will pause. The LED Display Window will stop blinking and the buzzer will sound every minute unless you close the door. After you close the door, the dishwasher will continue working after 10 seconds.

If display window shows error codes after a warning sound (see page 29 for "ERROR CODES"), that indicates the machine is out of order, please turn off the main power and water supply before calling for service.

STARTING A WASHING PROGRAM

Wash Cycle Table

NOTE: Star (★) means the need to fill rinse into the Rinse Aid Dispenser.

Program	Cycle Selection Information	Description of Cycle	Detergent pre/main	Running time (Hrs/Mins)	Energy (Kwh)	Water (L)	Rinse Aid
3-in-1	For normally soiled loads, such as pots, plates, glasses and lightly soiled pans. standard daily cycle.	Pre-wash (50°C) wash (50°C) rinse (70°C) drying	3in1	1:30	1.2	12	
Intensive 	For the heaviest soiled loads, such as pots, pans, casserole dishes and dishes that have been sitting with dried food on them for a while.	Pre-wash(50°C) Pre-wash Wash (65°C) Rinse Rinse Rinse (55°C) Drying	5/27.5g	2:41	1.4	22	★
Heavy 	For heavy soiled loads, such as pots, plates, glasses and lightly soiled pans. standard daily cycle.	Pre-wash(50°C) Wash (50°C) Rinse Rinse (65°C) Drying	5/27.5g	2:37	1.2	16	★
Normal  (AS/NZS 2007.1)	For normal soiled loads, such as plates, glasses, bowls and lightly soiled pans.	Wash (55°C) Rinse Rinse Rinse (50°C) Drying	5/27.5g	2:07	0.87	13.65	★
Rinse 	For dishes that need to be rinsed and dried only.	Pre-wash Wash (40°C) Rinse Rinse (60°C) Drying	/	1:10	0.8	8	★
Rapid 	A shorter wash for lightly soiled loads that do not need drying.	Wash (40°C) Rinse Rinse (45°C)	20g.	54	0.45	12	
Soak 	To rinse dishes that you plan to wash later that day.	Pre-wash	/	8	0.01	4	

NOTE:

* AS/NZS 2007.1: This program is the test cycle.

The information for comparability test in accordance with AS/NZS 2007.1, as follows:

- Capacity: 14 setting.
- Position Upper basket: Adjust to lower position (Page 18).
- Rinse aid setting: 3
- Open the door slightly 50mm to assist in drying of the dishes after every wash.

Positioning the Appliance

- Position the appliance in the desired location. The back should rest against the wall behind it, and the sides, along the adjacent cabinets or walls. The dishwasher is equipped with water supply and drain hoses that can be positioned either to the right or the left sides to facilitate proper installation.
- Put the dishwasher on the slide rails supplied.
- Affix the condensation strip under the cabinet bench top. Ensure the condensation strip is flush with the edge.

Water Outlet

- Connect the water drain hose. The drain hose must be correctly fitted to avoid water leaks. Ensure that the water drain hose is not kinked or squashed.

Extension Hose

- If you need a drain hose extension, make sure to use a similar drain hose.
- It must be no longer than 4 metres; otherwise the cleaning effect of the dishwasher could be reduced.

Syphon Connection

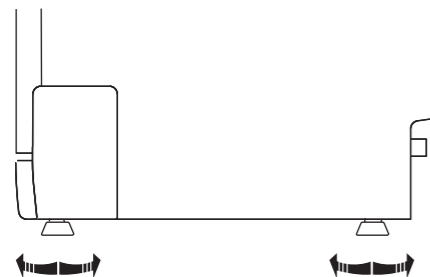
- The waste connection must be at a height of between 40 cm (minimum) and 100 cm (maximum) from the bottom of the dish. The water drain hose should be fixed by a hose clip. The free end of the hose must not be immersed in water.

Aquasafe Connection

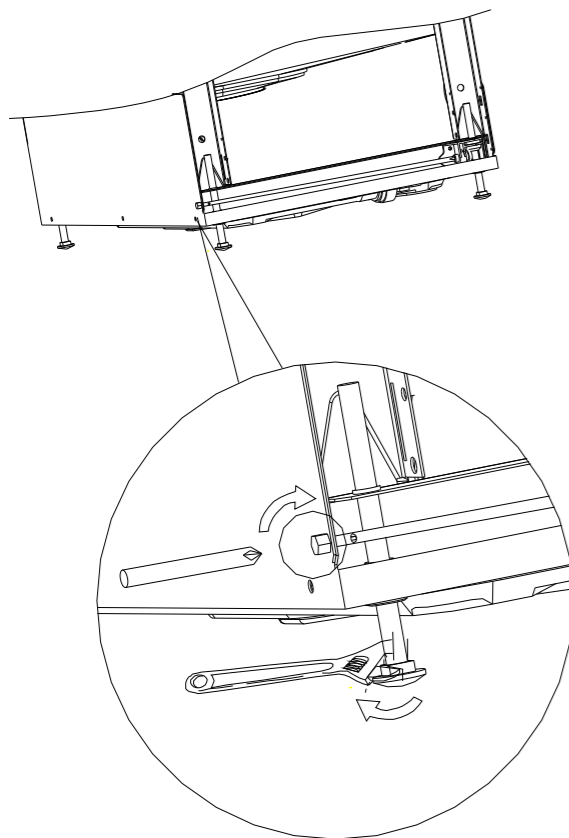
- The Aquasafe System is a safety valve system, preventing you from water leaks. If the water inlet hose starts to leak during a wash cycle, the safety valve cuts off the running water. Do not immerse the water inlet hose or the safety valve in water, because the electrical cable for the safety valve is in the double-walled water inlet hose.
- If water inlet hose or the safety valve is damaged, remove the main plug immediately.
- Do not enlarge or shorten the inlet hose because it contains electric parts.

Levelling the Dishwasher

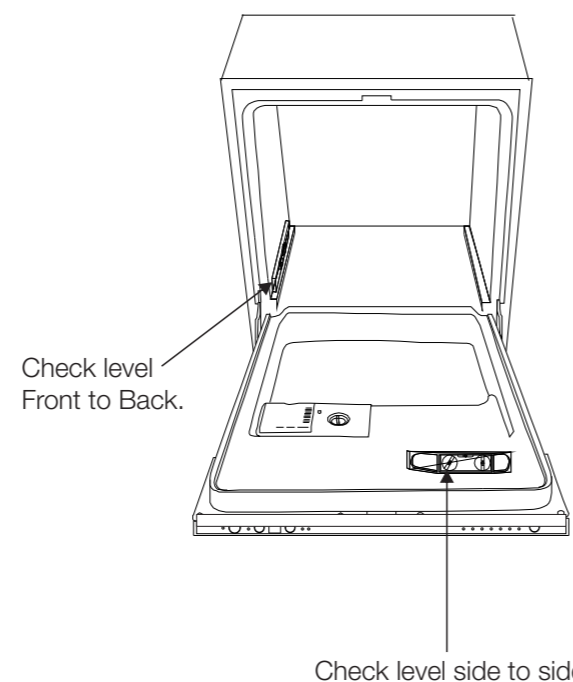
- Once the appliance is positioned for levelling, the height of the dishwasher may be altered via adjustment of the screwing level of the feet. The dishwasher must be level for proper dish rack operation and wash performance. In any case, the appliance should not be inclined more than 2°.



- The rear feet can be adjusted from the front of the dishwasher by turning the screws on the left and right hand side of the cabinet. To adjust the front feet, use a wrench and turn the front feet until the dishwasher is level.



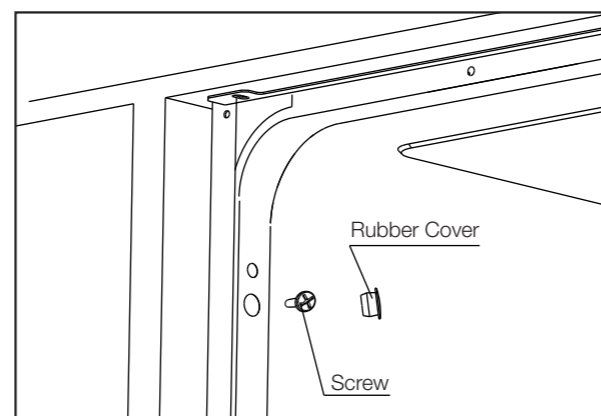
- Place level on door and rack track inside the tub as shown to check that the dishwasher is level.



Securing the Dishwasher

The dishwasher must be secured in place using either of the following methods:

- Normal work surface - secure to the work surface by using two woodscrews ensuring the dishwasher weight is not being hit by the surface.
- Marble or granite work top - secure the bracket to the side panel of the dishwasher and secure the dishwasher to the furniture housing. Put the rubber cap over the screw.



Suitability of items for use in your Dishwasher

NOT SUITABLE FOR USE

- Cutlery with wooden, horn china or mother-of-pearl handles.
- Plastic items that are not heat resistant.
- Older cutlery with glued parts that are not temperature resistant.
- Bonded cutlery items or dishes.
- Pewter or copper items.
- Crystal glass.
- Steel items subject to rusting.
- Wooden platters.
- Items made from synthetic fibres.

LIMITED SUITABILITY

- Some types of glasses can become dull after a large number of washes.
- Silver and aluminum parts have a tendency to discolour during washing.
- Glazed patterns may fade if machine washed frequently.

NOTE:

- Do not put in items that are dirty with cigarette ash, candle wax, lacquer or paint.
- If you buy new dishes please make sure that they are suitable for dishwashers.
- Please do not overload your dishwasher. Do not use dishes that are not suitable for dishwashers. This is important for good results and for reasonable energy consumption.

Before loading the dishes, you should:

- Remove large food particles.
- Soften remnants of burnt food in pans.

When loading the dishes and cutlery, please note:

- Dishes and cutlery must not impede the rotation of the spray arms.
- Load hollow items such as cups, glasses, pans etc. with the opening downwards so that water cannot collect in the container or a deep base.
- Dishes and items of cutlery must not lie inside one another, or cover each other.
- To avoid damage to glasses, they must not touch.
- Load large items which are most difficult to clean into the lower rack.
- The upper rack is designed to hold more delicate and lighter dishware such as glasses, coffee and tea cups.

ATTENTION!

- Long bladed knives stored in an upright position are a potential hazard!
- Long and/or sharp items of cutlery such as carving knives must be positioned horizontally in the upper basket.

Damage to glassware and other dishes

Possible Causes

- Type of glass or manufacturing process. Chemical composition of detergent.
- Water temperature and duration of dishwasher programme.

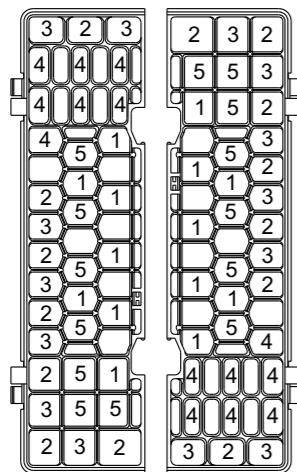
Suggested remedy:

- Use glassware or porcelain dishes that have been marked dishwasher-proof by the manufacturer
- Use a mild detergent that is described as kind of dishes. If necessary, seek further information from detergent manufacturers.
- Select a program with as low a temperature.
- To prevent damage, take glass and cutlery out of the dishwasher as soon as possible after the program has ended. as possible after the program has ended.

Using Your Dishwasher

Cutlery Basket

Cutlery should be placed in the cutlery basket with the handles at the bottom. If the rack has side baskets, the spoons should be loaded separately into the appropriate slots, especially long utensils should be placed in the horizontal position at the front of the upper basket as shown in the picture.



1 Forks



2 Soup spoons



3 Dessert spoons



4 Teaspoons



5 Knives



WARNING!

- Do not let any item extend through the bottom.
- Always load sharp utensils with the sharp point down!



Using Your Dishwasher

BEFORE STARTING THE DISHWASHER

The following things should be checked before starting the dishwasher.

1. That the dishwasher is level and fixed properly.
2. That the inlet valve is open.
3. That there is no leakage at the connections of the conducts.
4. The wires are tightly connected and the power is switched on.
5. That the inlet and drain hoses are not knotted or kinked.
6. All packing materials should be taken out of the dishwasher.

PRIOR TO USING FOR THE FIRST TIME

Before using your dishwasher for the first time:

Fill the Rinse Aid Dispenser

The rinse aid is released during the final rinse to prevent water from forming droplets on your dishes, which can leave spots and streaks. It also improves drying by allowing water to roll off the dishes. Your dishwasher is designed to use liquid rinse aids. The rinse aid dispenser is located inside the door next to the detergent dispenser. To fill the dispenser, open the cap and pour the rinse aid into the dispenser until the level indicator turns completely black. The volume of the rinse aid container is about 140ml.

Function of the Rinse Aid

Rinse aid is automatically added during the last rinse, ensuring thorough rinsing, and spot and streak free drying.

WARNING!

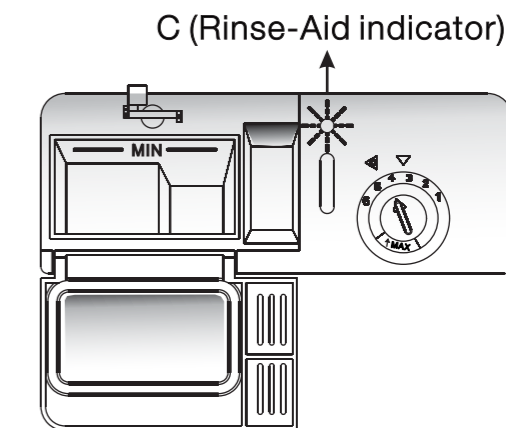
Only use branded rinse aid for dishwasher. Never fill the rinse aid dispenser with any other substances (e.g. Dishwasher cleaning agent, liquid detergent). This would damage the appliance.

When to refill the Rinse Aid Dispenser

If there is no rinse-aid warning light in the control panel, you can judge the amount of rinse-aid by the color of the optical level indicator "C" located next to the cap. When the rinse-aid container is full, the whole indicator will be dark. As the rinse-aid diminishes, the size of the dark dot decreases. You should never let the rinse aid get below 1/4 full.

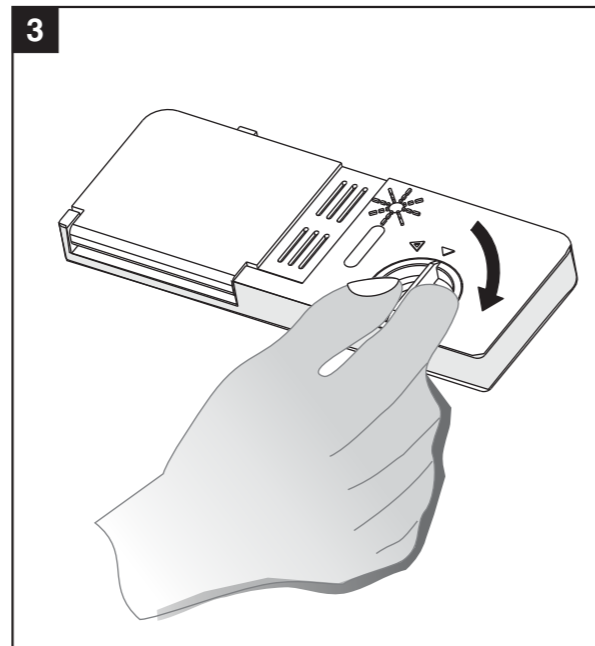
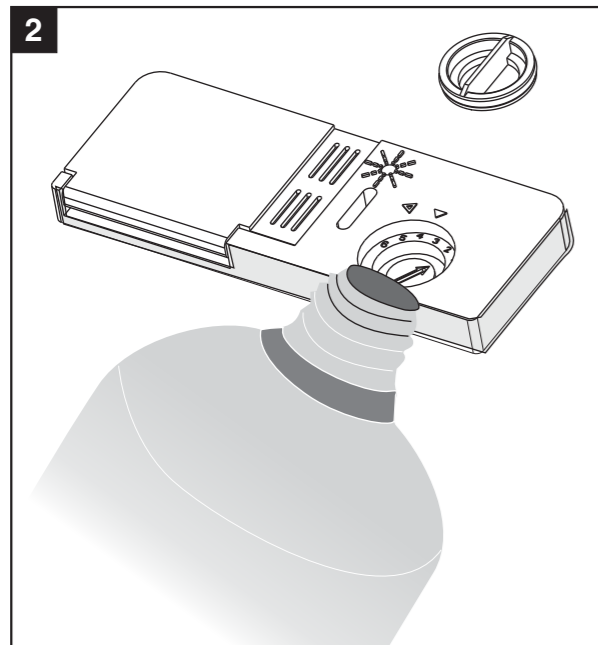
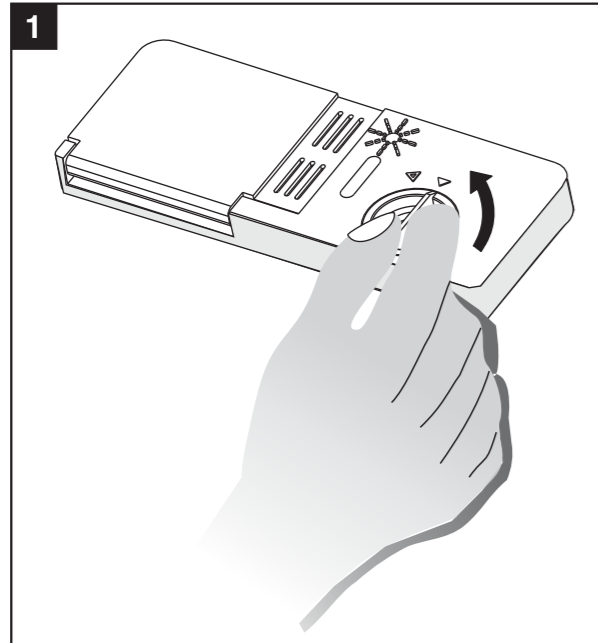
As the rinse aid diminishes, the size of the black dot on the rinse aid level indicator changes, as illustrated below.

- Full
- 3/4 Full
- 1/2 Full
- 1/4 Full (Should refill to eliminate spotting)
- Empty



How to fill the Rinse Aid Dispenser

1. To open the dispenser, turn the cap to the "open" (left) arrow and lift it out.
2. Pour the rinse aid into the dispenser, being careful not to overfill.
3. Replace the cap by inserting it aligned with "open" arrow and turning it to the closed (right) arrow.



Be careful not to overfill the dispenser, because this could cause over sudsing. Wipe away any spills with a damp cloth. Don't forget to replace the cap before you close dishwasher door.

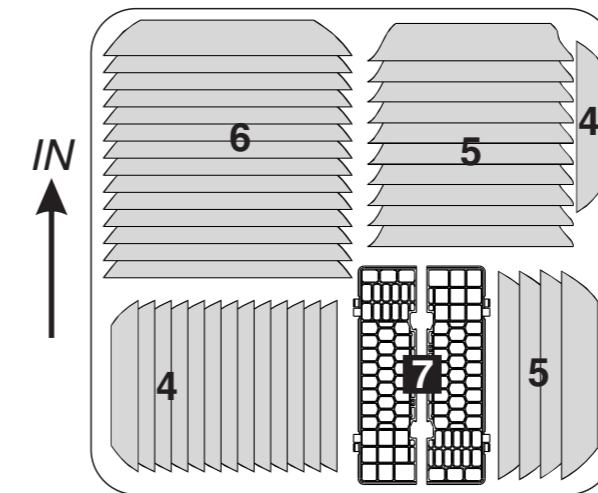
ATTENTION! Clean up any rinse aid spill during filling with an absorbent cloth to avoid excess foaming during the next wash.

Loading the Lower Basket

We recommend that you place large items which are most difficult to clean into the lower basket: pots, pans, lids, serving dishes and bowls, as shown in the figure below.

It is preferable to place serving dishes and lids on the side of the racks in order to avoid blocking the rotation of the top spray arm.

- Pots, serving bowls, etc. must always be placed top down.
- Deep pots should be slanted to allow water to flow out.
- The bottom basket features folding spikes so that larger or more pots and pans can be loaded.



4 - Dessert dishes

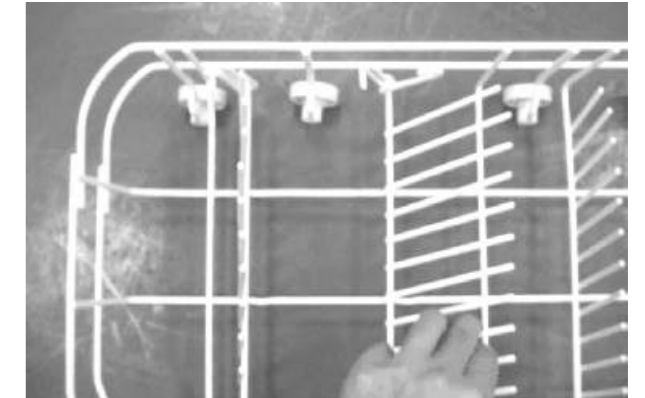
5 - Soup plates

6 - Dinner plates

7 - Cutlery basket

Folding spikes

For better stacking of pots and pans, the spikes can be folded down as show in the picture below.

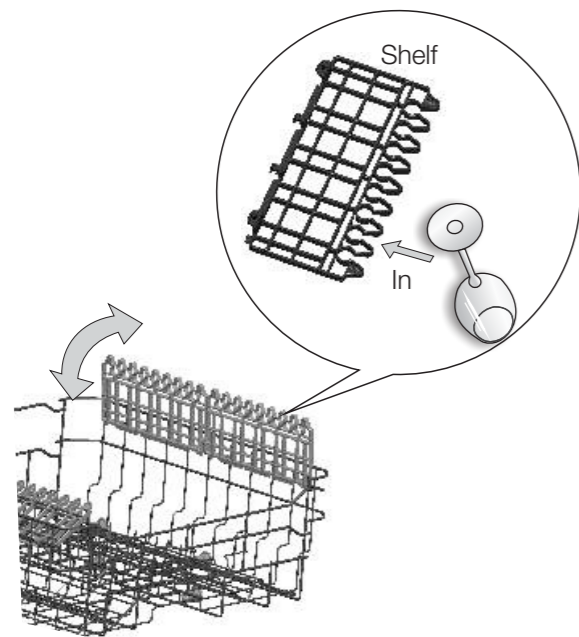


Using Your Dishwasher

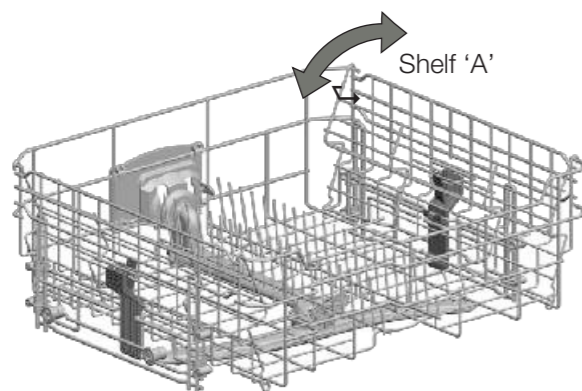
Adjusting the Upper Basket

The upper rack is for more delicate and lighter dishware such as glasses, coffee & tea cups, saucers, plates, bowls, and shallow pans (provided these are not too dirty).

Position the dishes and cookware so that they do not get moved by the spray of water. Always place glasses, cups & bowls upside down.



Shelf 'A' can be hung up on the sides or layed down on the bottom of the upper basket



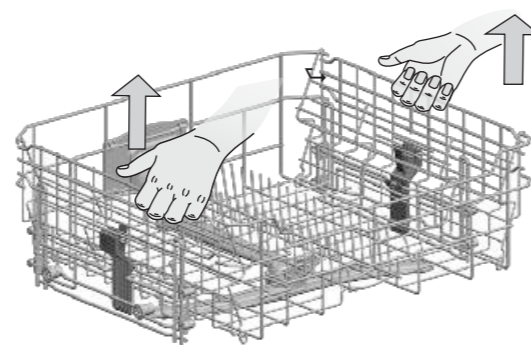
The upper basket height is adjustable. There is a higher and lower position for the upper basket which is used to wash dishes with different heights. You can lift the basket or press the adjustor to the upper and lower position.

Long items, serving cutlery, salad servers or knives should be placed on the shelf so that they do not obstruct the rotation of the spray arms. The shelf can be rotated and lifted according to dishes. When not required, the shelf can be folded back at the lower height.

To adjust the height, grip the shelf on the side edges and lift it to the higher position, then rotate to the desired position.

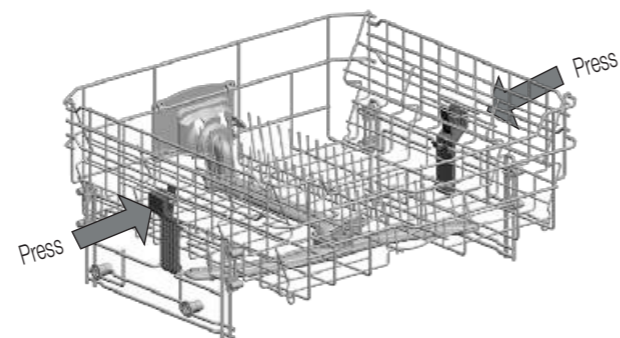
Position 1: Lower Position

Pull up the left and right steel wire to raise up the upper basket to position 2.



Position 2: Higher Position

Press the left and right adjustors to lower the upper basket to position 1.

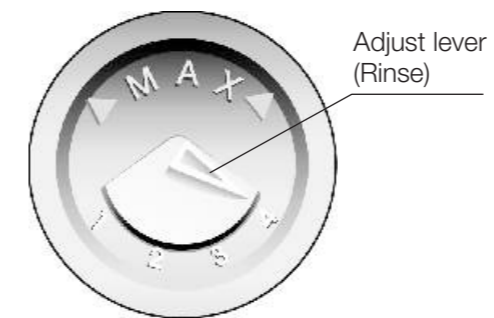


Using Your Dishwasher

Adjusting the Rinse Aid Dispenser

The rinse aid dispenser has four scales. Always start with the dispenser set on "3". If spots and poor drying are a problem, increase the amount of rinse aid dispensed by removing the dispenser lid and rotating the dial to "4". The recommended setting is "3". (Factory value is "3".)

NOTE: Increase the dose if there are drops of water or lime spots on the dishes after washing. Reduce it if there are sticky whitish stains on your dishes or a bluish film on glassware or knife blades.



Detergents

There are 3 sorts of detergents:

1. With phosphate and with chlorine
2. With phosphate and without chlorine
3. Without phosphate and without chlorine

Normally new pulverised detergent is without phosphate. Thus the water softener function of phosphate is not given. In this case we recommend to fill salt in the salt container even when the hardness of water is only 6 °dH. If detergents without phosphate are used in the case of hard water often white spots appear on dishes and glasses. In this case please add more detergent to reach better results. Detergents without chlorine do only bleach a little. Strong and coloured spots will not be removed completely. In this case please choose a program with a higher temperature.

Concentrated Detergent

Based on their chemical composition, detergents can be split in two basic types:

- Conventional, alkaline detergents with caustic components
- Low alkaline concentrated detergents with natural enzymes

The use of "normal" washing programs in combination with concentrated detergents reduces pollution and is good for your dishes; these wash programs are specifically matched to the dirt-dissolving properties of the enzymes of the concentrated detergent. For this reason "normal" wash programs in which

concentrated detergents are used can achieve the same results that can otherwise only be achieved using "intensive" programs.

Detergent Tablets

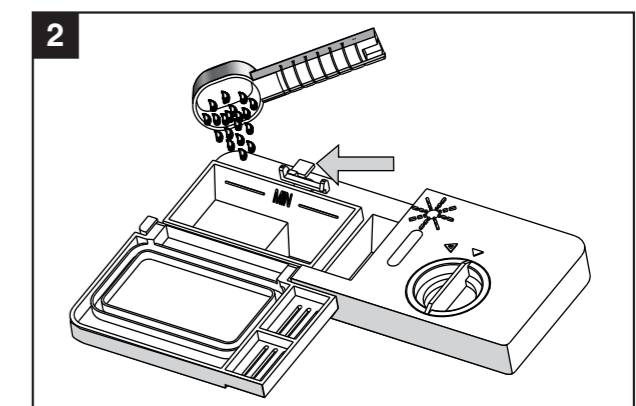
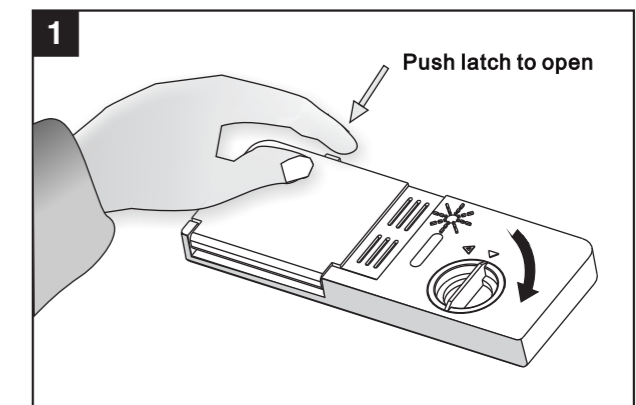
Detergent tablets of different brands dissolve at different speeds. For this reason some detergent tablets cannot dissolve and develop their full cleaning power during short programs. Therefore please use long programs when using detergent tablets, to ensure the complete removal of detergent residuals.

Detergent Dispenser

The dispenser must be refilled before the start of each wash cycle following the instructions provided in the wash cycle table. Your dishwasher uses less detergent and rinse aid than Conventional dishwasher. Generally, only one tablespoon of detergent is needed for a normal wash load. More heavily soiled items need more detergent. Always add the detergent just before starting the dishwasher, otherwise it could get damp and will not dissolve properly.

Adding detergent to Dishwasher

- If the lid is closed: press release button. The lid will spring open.
- Always add the detergent just before starting each wash cycle.
- Only use branded detergent aid for dishwasher.



Using Your Dishwasher

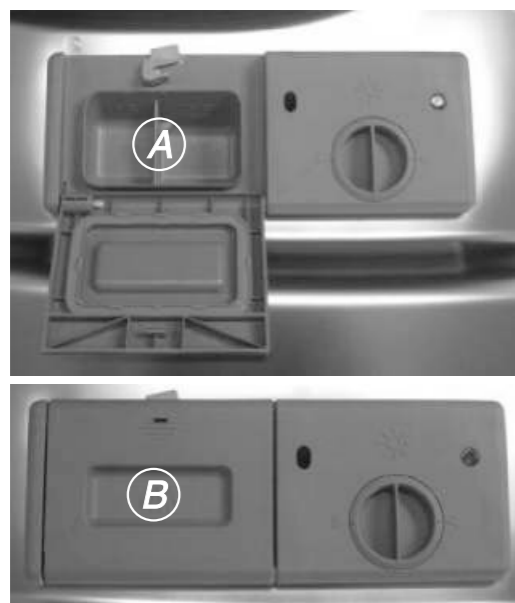
WARNING! Dishwasher detergent is poisonous! Take care to keep it out of reach of children.

Proper Use of Detergent

- Only use detergent specifically made for the use in dishwashers. Keep your detergent fresh and dry.
- Don't put powdered detergent into the dispenser until you're ready to wash dishes.

Fill the detergent dispenser with detergent. The marking indicates the dosing levels, as shown below:

- (A) Location of main wash cycle detergent.
- (B) Location of pre-wash cycle detergent.



Please observe the manufacturers dosing and storage recommendations as stated on the detergent packaging.

Close the lid and press until it locks in place.

If the dishes are heavily soiled, place an additional detergent dose in the pre-wash detergent chamber. This detergent will take effect during the pre-wash phase.

NOTE: See information about the amount of detergent for the single programs on page 18. Please be aware, that according to the level soiling and the specific hardness of water differences are possible.

Please observe the manufacturer's recommendations on the detergent packaging.

Use of "2-in-1", "3-in-1", "4-in-1" and "5-in-1" Combination / Compact Detergents.

These products are detergents with integrated and combined detergent/rinse aid and salt functions. Before using these products you should first check that the water hardness in your supply is compatible with the use of these products as per the detergent manufacturers (on the product packaging).

These products should be strictly used according to the detergent manufacturer's instructions. In general detergents that include rinse aid or water softener are only able to serve good results under certain conditions: rinse aid and water softener can not adapted to specific conditions. For this reasons in some cases there might be unwanted cleaning or drying results.

Please ask the detergent manufacturer to inform you about the best consume conditions. If you encounter problems when using these products for the first time then please contact the detergent manufacturers care line. The manufacturer of your dishwasher is not liable for damages caused by compact detergents nor gives warranty if you use compact detergents.

NOTE: When using "2-in-1", "3-in-1", "4-in-1" or "5-in-1" Combination / Compact Detergents, please pay attention to make sure that the size of the Combination Detergents is fitted to the dispenser so that Combination Detergents can be easy to put in the dispenser and dispenser would not be broken.

ATTENTION! Keep all detergents in a safe place out of children's reach.

Always add the detergent in the dispenser just before starting the dishwasher.

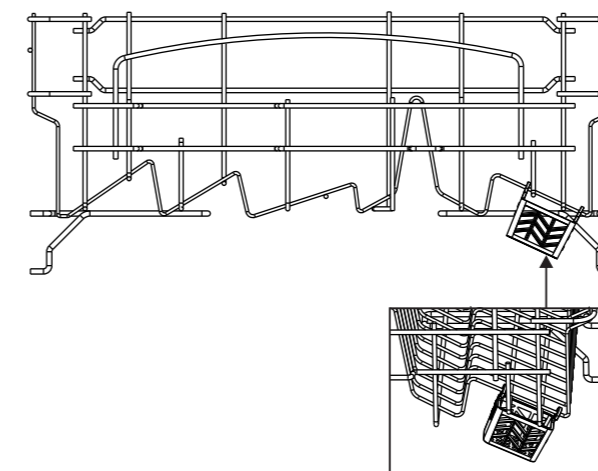
Using Your Dishwasher

How to use the 3-in-1 Program

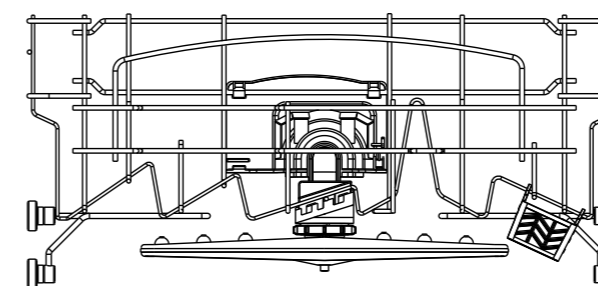
Your dishwasher has a 3-in-1 program which needs no salt and rinse aid but a 3-in-1 tablet. This dishwasher comes with a 3-in-1 tablet container as an accessory.

NOTE: Only the 3-in-1 program can be used with 3-in-1 tablets. If you use 3-in-1 tablets in other programs, the appliance will not achieve a good performance.

1. The figure below shows how to hang the 3-in-1 tablet container on the upper basket.



2. Rotate the upper spray arm and change the location of the container to ensure the upper spray arm is not obstructed by the 3-in-1 tablet container. Refer to the figure below for reference.



3. Put the 3-in-1 tablet into the container, then start the 3-in-1 program.

NOTE: When using 3-in-1 combination / compact Detergents, please pay attention to make sure that the size of the combination detergents fits to the dispenser so that combination detergents can be easily put into the dispenser, and the dispenser would not be broken.

LOADING THE DISHWASHER BASKET

For best performance of the dishwasher, follow these loading guidelines. Features and appearance of baskets and cutlery baskets may vary from your model.

Attention before or after Loading the Dishwasher Baskets.

Scrape off any large food particles. Soften remnants of burnt food in pans.

It is not necessary to rinse the dishes under running water. Place objects in the dishwasher in following way:

1. Items such as cups, glasses, pots/pans, etc. are faced downwards.
2. Curved items, or ones with recesses, should be loaded aslant so that water can run off.
3. All utensils are stacked securely and can not tip over.
4. All utensils are placed in the way that the spray arms can rotate freely during washing.

Very small items should not be washed in the dishwasher as they could easily fall out of the baskets.

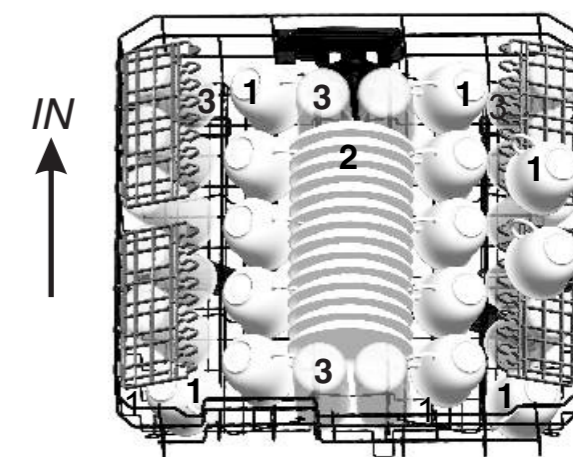
Removing the Dishes

To prevent water dripping from the upper basket into the lower basket, we recommend that you empty the lower basket first and then the upper basket.

Loading the Upper Basket

The upper basket is designed to hold more delicate and lighter dishware such as glasses, coffee and tea cup and saucers, as well as plates, small bowls and shallow pans (as long as they are not too dirty).

Position the dishes and cookware so that they do not get moved by the spray of water.



1 - Cups 2 - Saucers 3 - Glasses